

Panasonic Industrial Company

Air Conditioning Department

2R10S3R276A-6A

265/277 V, 60 Hz R-22

2R10S3R276A-6A

Application	Cooling (C) / Heating (C)	
Ref. Charge Limit (C/H)	16.4 oz.	465 g
	(C)	19.4 oz. 550 g
Evap. Temp. Range (C/H)	5°F to 53.6°F	-15°C to 12°C
	(C)	14°F to 53.6°F -10°C to 12°C
Specification Number	SC-52170821-B	

Rated Performance @265V¹

Capacity	6,625 Btu/hr
Motor Input	616 Watts
Current	2.4 Amperes
E.E.R.	10.75 Btu/hr/ W

Compressor Data

Pump Type	Rotary	
Displacement	9.5 cc/rev	
Oil	ATMOS M60 or equivalent	
Oil Charge (Precharged)	8.8 fl. oz.	260 cc
Net Weight	19.2 lb	8.7 kg

Motor Data

Motor Type	Permanent Split Capacitor	
Locked Rotor Amperes	16 A at 277 V	
Winding Resistance	Main: 5.525Ω, Aux: 5.250Ω	
Max. Continuous Current ²		

Maximum Operating Conditions

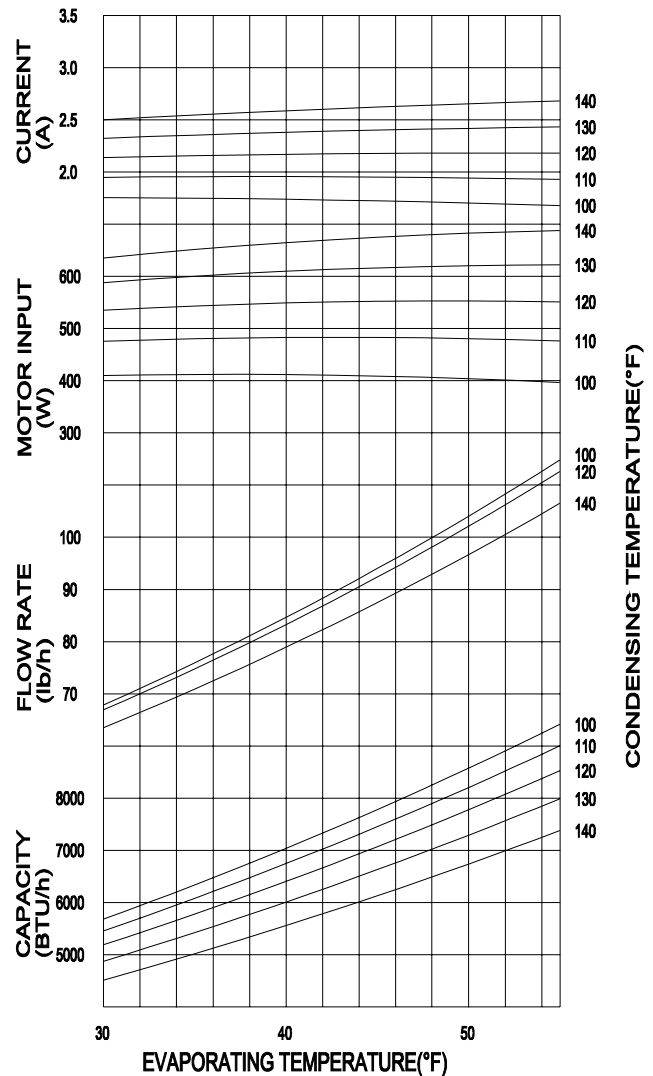
Condensing Temp.	149°F	65°C
Return Gas Temp.	95°F	35°C
Discharge Gas Temp.	239°F	115°C
Motor Wire Temp.	266°F	130°C

Electrical Components

Overload Protector	7100543	
Texas Instrument part #	MRA 99017	
Run Capacitor	15 μF/400 VAC	

¹Rated @ASHRAE/T Conditions

Evaporating Temp.	45°F	7.2°C
Condensing Temp.	130°F	54.4°C
Return Gas Temp.	95°F	35.0°C
Liquid Temp.	115°F	46.1°C
Ambient Temp.	95°F	35.0°C



Performance Data @265V

Based on:

Return gas Temp.	95°F	35.0°C
Liquid sub-cooling	15°F	8.3°C
Ambient	95°F	35.0°C

COND. TEMP.

100°F	110°F	120°F	130°F	140°F
37.8°C	43.3°C	48.9°C	54.4°C	60°C

EVAP. TEMP.

35° F 1.7°C	Btu/hr	6330	6075	5770	5420	5015
	Watts	412	480	543	600	651
	Amperes	1.7	2.0	2.2	2.4	2.5

45° F 7.2°C	Btu/hr	7775	7445	7065	6625	6125
	Watts	409	483	552	616	675
	Amperes	1.7	2.0	2.2	2.4	2.6

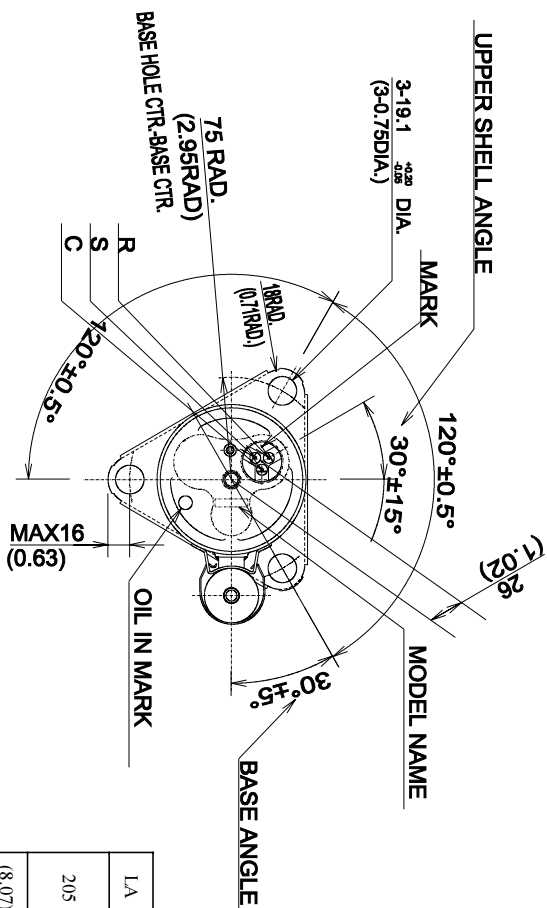
55° F 12.8°C	Btu/hr	9410	9000	8525	7985	7375
	Watts	396	476	551	622	687
	Amperes	1.7	1.9	2.2	2.4	2.7

BTU 7,000

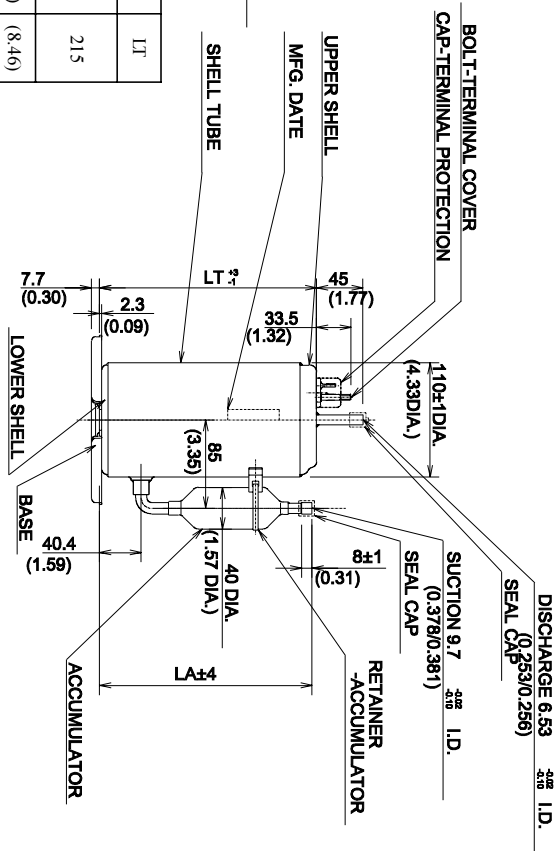
2R10S3R276A-6A

265/277 V, 60 H R-22

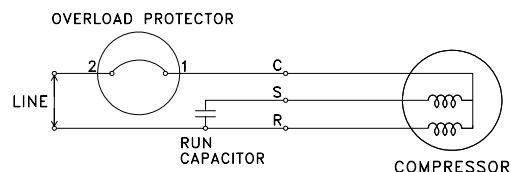
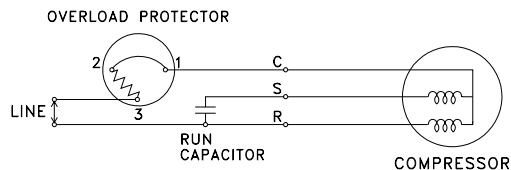
BTU 7,000



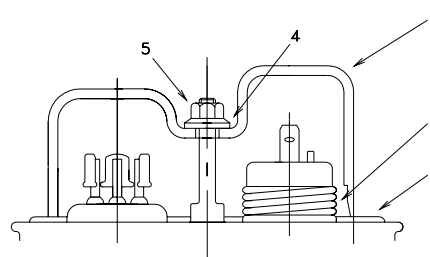
LA	LT
205	215
(8.07)	(8.46)



WIRING DIAGRAM



COMPRESSOR ACCESSORIES



Accessories	Part Number
1 Gasket-Terminal Cover	7070620U
2 Spring-OLP hold down	7041200
3 Terminal Cover	7070222U
4 Gasket-Nut	7070621U
5 Nut-Terminal Cover	7080300
Grommet	7070817

COMPRESSOR MOUNTING

