

### 2R7U126A-6A

Application	Cooling (C) /Heating (H)	
Ref. Charge Limit (C/H)	16.4 oz.	465 g
	(C) 19.4 oz.	550 g
Evap. Temp. Range (C/H)	5°F to 53.6°F	-15°C to 12°C
	(C) 14°F to 53.6°F	-10°C to 12°C
Specification Number	SC-52171630-A	

### Rated Performance<sup>1</sup>

Capacity	5,160 Btu/hr
Motor Input	465 Watts
Current	4.2 Amperes
E.E.R.	11.10 Btu/hr/ W

### Compressor Data

Pump Type	Rotary	
Displacement	7.26 cc/rev	
Oil	ATMOS M60 or equivalent	
Oil Charge (Precharged)	8.8 fl. oz.	260 cc
Net Weight	19.8 lb	9.0 kg

### Motor Data

Motor Type	Permanent Split Capacitor	
Locked Rotor Amperes	29 A at 120 V	
Winding Resistance	Main: 1.469Ω, Aux: 2.373Ω	
Max. Continuous Current <sup>2</sup>		

### Maximum Operating Conditions

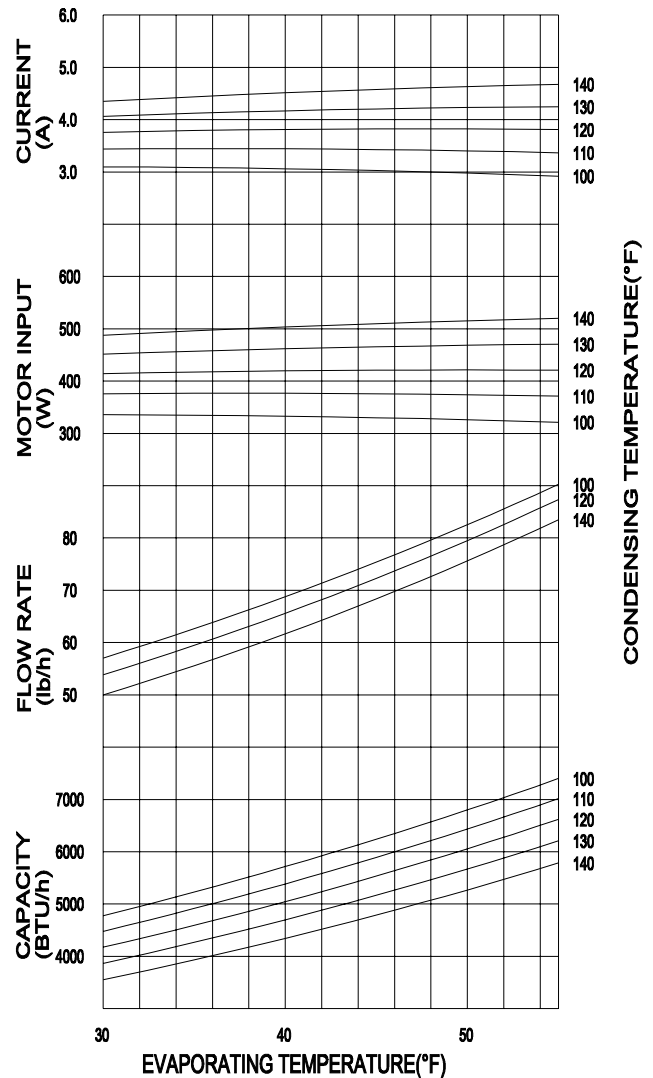
Condensing Temp.	149°F	65°C
Return Gas Temp.	95°F	35°C
Discharge Gas Temp.	239°F	115°C
Motor Wire Temp.	266°F	130°C

### Electrical Components

Overload Protector	7100720	
Texas Instrument part #	MRA99811	
Run Capacitor	35 μF/230 VAC	

### <sup>1</sup>Rated @ ASHRAE/T Conditions

Evaporating Temp.	45°F	7.2°C
Condensing Temp.	130°F	54.4°C
Return Gas Temp.	95°F	35.0°C
Liquid Temp.	115°F	46.1°C
Ambient Temp.	95°F	35.0°C



### Performance Data

Based on:

Return gas Temp.	95°F	35.0°C
Liquid sub-cooling	15°F	8.3°C
Ambient	95°F	35.0°C

#### COND. TEMP.

100°F	110°F	120°F	130°F	140°F
37.8°C	43.3°C	48.9°C	54.4°C	60°C

#### EVAP. TEMP.

35° F 1.7° C	Btu/hr	5225	4095	4585	4260	3925
	Watts	335	375	415	455	495
	Amperes	3.1	3.4	3.8	4.1	4.4

45° F 7.2° C	Btu/hr	6230	5885	5525	5160	4785
	Watts	330	375	420	465	510
	Amperes	3.0	3.4	3.8	4.2	4.6

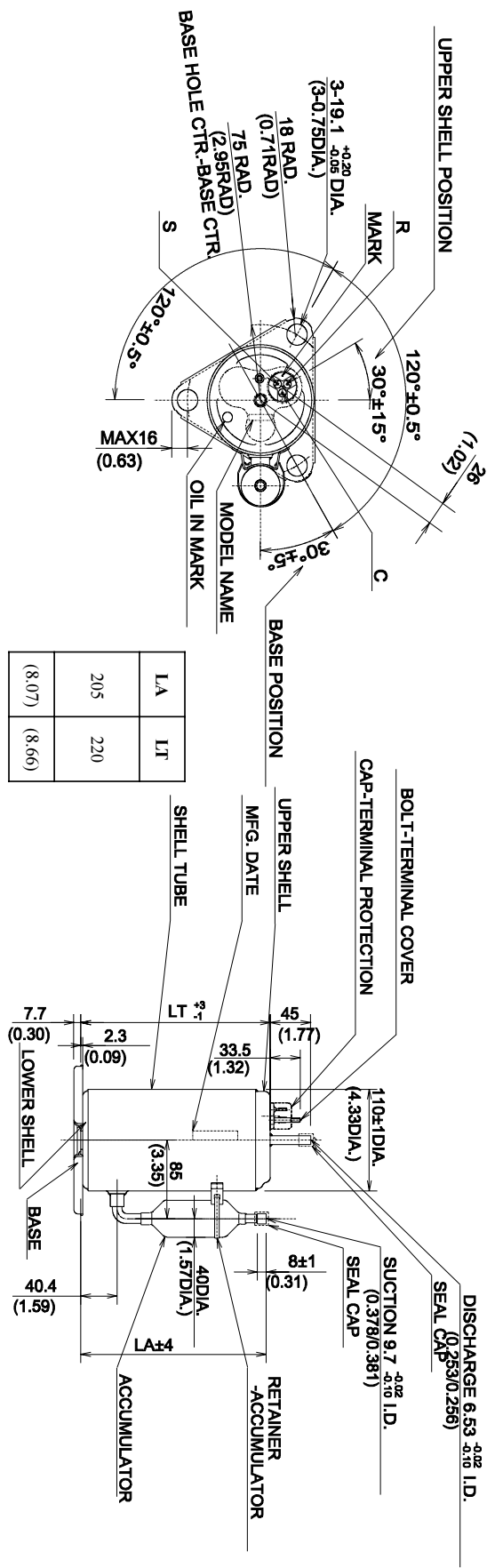
55° F 12.8° C	Btu/hr	7390	7010	6610	6200	5780
	Watts	320	370	420	470	520
	Amperes	2.9	3.4	3.8	4.2	4.7

BTU 5,000

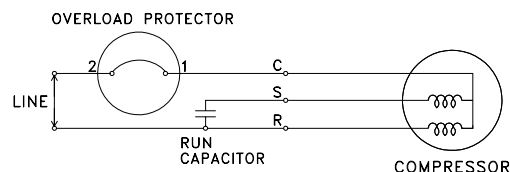
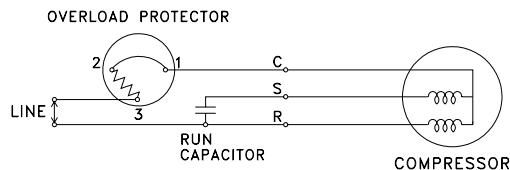
# 2R7U126A-6A

115 V, 60 Hz R-22

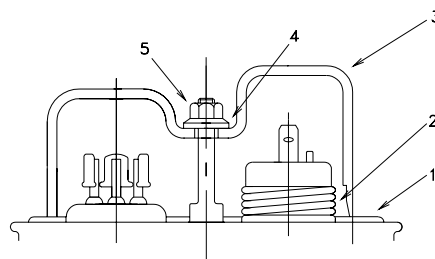
BTU 5,000



## WIRING DIAGRAM

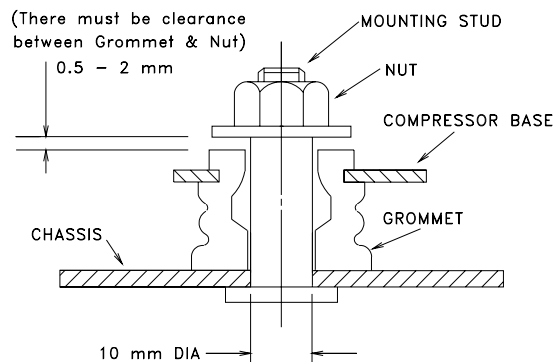


## COMPRESSOR ACCESSORIES



Accessories	Part Number
1 Gasket-Terminal Cover	7070620U
2 Spring-OLP hold down	7041200
3 Terminal Cover	7070222U
4 Gasket-Nut	7070621U
5 Nut-Terminal Cover	7080300
Grommet	7070817

## COMPRESSOR MOUNTING



This document sets forth certain operational parameters and conditions for operation of this product. If this product is operated outside of the parameters and conditions stated herein, buyer assumes sole and full responsibility and shall indemnify seller with respect to all product failures, and all consequences thereof. Operation of the product outside of the parameters and conditions specified herein shall serve to invalidate all seller warranties, if any, with respect to the product. Use this document as reference only. For specifications, please contact Panasonic's engineering department.