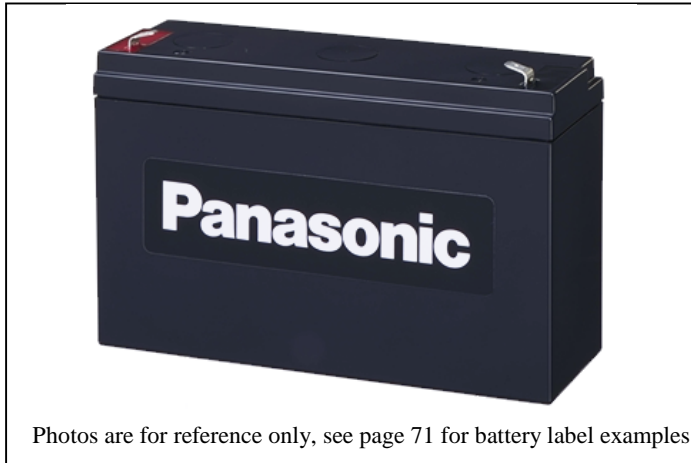


INDIVIDUAL SPECIFICATIONS

LC-RB0610P(a)(LCR6V10BP)

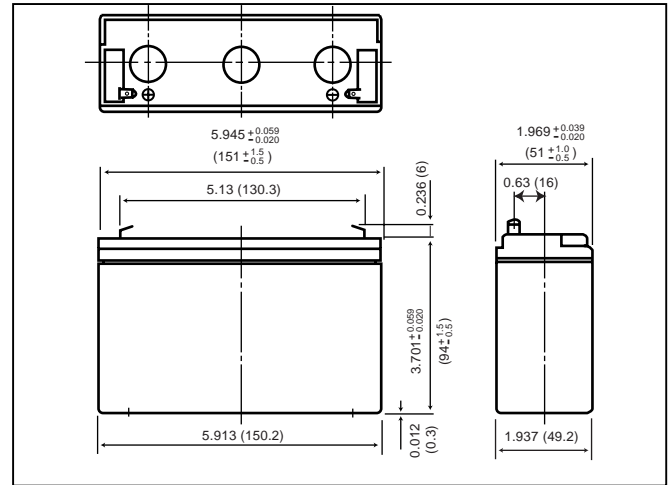


Photos are for reference only, see page 71 for battery label examples.

(a) Add applicable codes for terminal type, destination country, etc. (see page 21)

* This product adopts UL94HB-compliant resin as the material of the battery case. Product color is black. Optionally, type LC-VB0610P(a) which adopts flame-retardant resin complying with UL94V-0 is also available. Product color is gray.

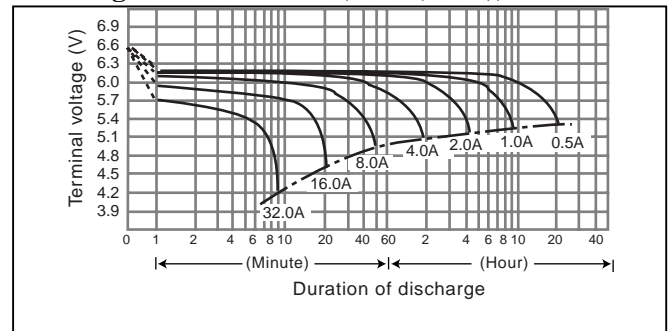
Dimensions inch (mm)



Specifications

Nominal voltage		6V
Nominal capacity (20 hour rate)		10.0Ah
Dimensions inch (mm)	Total height	3.937 inch (100mm)
	Height	3.701 inch (94mm)
	Length	5.945 inch (151mm)
	Width	1.969 inch (50mm)
Mass		Approx. 3.92 lbs. (1.78kg)

Discharge characteristics (77°F (25°C)) (note)



Characteristics

Capacity (note) (77°F (25°C))	20 hour rate (500mA)	10.0Ah
	10 hour rate (930mA)	9.3Ah
Internal resistance	5 hour rate (1700mA)	8.5Ah
	1 hour rate (6000mA)	6.0Ah
	1.5 hour rate discharge Cut-off voltage 5.25 V	4.8A
Temperature dependency of capacity (20 hour rate)	Fully charged battery (77°F (25°C))	Approx. 15mΩ
	104°F (40°C)	102 %
	77°F (25°C)	100 %
	32°F (0°C)	85 %
Self discharge (77°F (25°C))	5°F (-15°C)	65 %
	Residual capacity after standing 3 months	91%
	Residual capacity after standing 6 months	82%
Terminal	Residual capacity after standing 12 months	64%
	AMP Faston tab (Type 187/250♦)	
	Charge Method (Constant Voltage)	Cycle use (Repeating use)
Trickle use		6.8 to 6.9 V (per 6V cell 77°F (25°C))

(Note) The above characteristics data are average values obtained within three charge/discharge Cycles not the minimum values.

Duration of discharge vs. Discharge current (note)

