

LCR 6V3.2P

Specifications

Nominal Voltage		6V
Nominal Capacity (20 hour rate)		3.2Ah
Dimensions	Total Height (with terminals)	4.92 inches (125mm)
	Height	4.69 inches (119mm)
	Length	2.60 inches (66mm)
	Width	1.30 inches (33mm)
Weight		Approx. 1.46 lbs (660g)

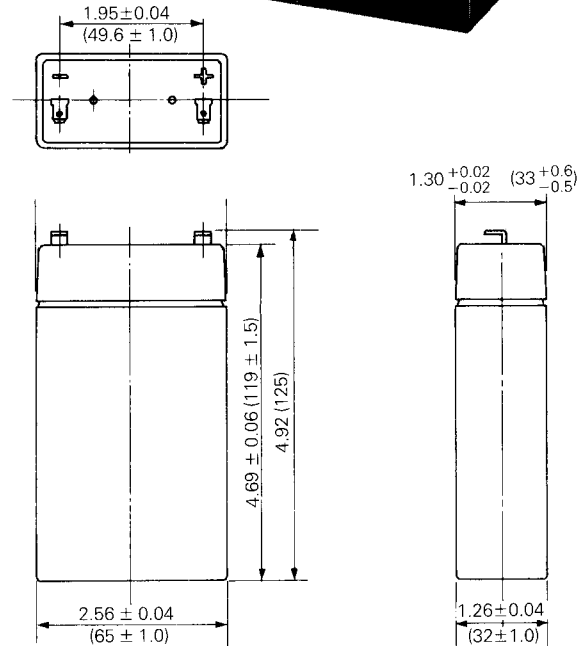
Characteristics

Capacity 77°F (25°C)	20 hour rate (160mA)	3.2Ah
	10 hour rate (300mA)	3.0Ah
	5 hour rate (560mA)	2.8Ah
	1 hour rate (2000mA)	2.0Ah
	1.5 hour discharge to 5.25V	1.3A
Internal Resistance	Full charged Battery 77°F (25°C)	40mΩ
Capacity affected by Temperature (20 hour rate)	104°F (40°C)	102%
	77°F (25°C)	100%
	32°F (0°C)	85%
	-4°F (-20°C)	60%
Self-Discharge 77°F (25°C)	Capacity after 3 month storage	91%
	Capacity after 6 month storage	82%
	Capacity after 12 month storage	64%
Terminal	AMP Faston type 187 Tab terminal	
Charge (Constant Voltage)	Cycle	Initial Charging Current Less than 1.2A Voltage 7.25~7.45V/6V 77°F (25°C)
	Float	Initial Charging Current Less than 1.2A Voltage 6.8~6.9V/6V 77°F (25°C)

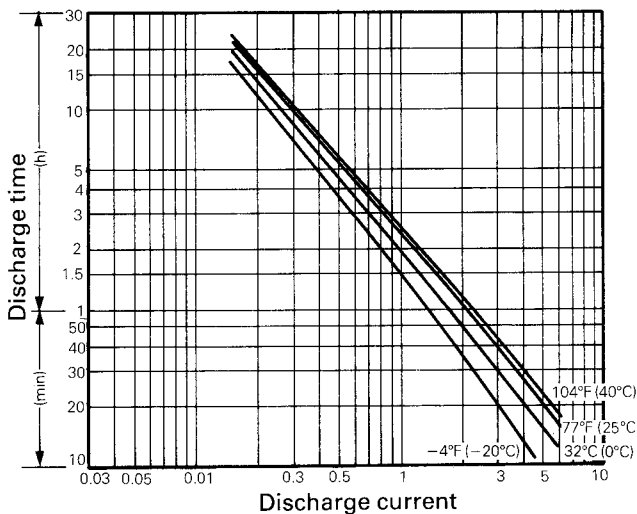
NOTE: This battery uses a special MATSUSHITA gelled electrolyte. However, all performance described in Section 1 applies.



Unit: inch (mm)



Discharging Current & Discharge Duration Time



Discharge curves 77°F (25°C)

